

LED TAXI TOP LIGHTING

for use in a taxi top lighting system

LED Smart
lighting

Patent Pending



DESCRIPTION

The LED Taxi Top On-Duty lamp has been designed to function with conventional 'on-duty' housings. It replaces the short lived lamps that are typically used on taxi tops. The On-Duty LED lamp is far superior to incandescent lamps in that it can withstand vibration, hot and cold temperatures. The superior long life that allows this product to easily outlive the typical fluorescent and incandescent systems. In the long term these lights save money for the taxi operator.

FEATURES

The special features of the LED On-Duty lamp are:

- Solid state lighting device, works well in harsh environments of hot or cold temperatures
- Instant on, no warm up time required
- Last 10 times longer than incandescent or fluorescent
- No EMI emissions, to eliminate radio interference
- Designed to replace conventional fluorescent lamps
- Vibration proof features
- Lead Free Compliant, Mercury Free

STANDARD FEATURES

- 6"
- Amber(AM), Cool White(CW), or Warm White(WW) LEDs
- 12VDC Operating Voltage
- 120° Viewing Angle

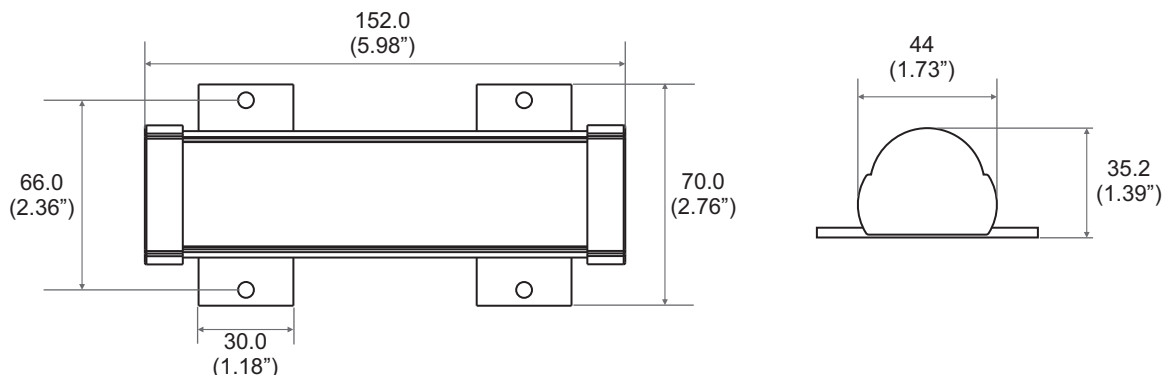


SPECIFICATIONS

Product part number	Electrical Specification			Optical Specification		Operating Temperature (°C)			Estimated Finished Weight	
	Input Voltage (Volt)	Input Current (mA)	Power Consumption (Watt)	Intensity (Brightness) (lumens)	Color Temperature (Kelvin) or Dominant	MIN	TYP	MAX	Kg	Lbs
	TYP	TYP			TYP					
LTCW12V6-A	12	580	6.96	456	5500K	-30°C (-22°F)	25°C (77°F)	50°C (122°F)	0.308	0.67
LTWW12V6-A				342	2800K					
LTAM12V6-A				200	590nm					

* Other Colors and voltages available upon request, consult factory

DIMENSIONS



LED Smart Inc. works to continually improve our products, we reserve the right to change or modify the designs or specifications of this product at any time without prior notice. All rights reserved. This product is under a patent pending protection.

