

RECESSED CEILING LIGHT

low voltage recessed ceiling light

LED Smart
lighting



Shown in Cool White

Optional Ambient Light

FEATURES & ADVANTAGES

The LED Recessed Ceiling Light has been designed for reading and ambient light replacement or new vehicle usage. These lamps are designed to reduce current draw and repair maintenance in comparison with a traditional incandescent system.

Variable voltage circuitry provides consistent illumination and circuit protection from 9-30V DC, even under voltage fluctuations. Superior LED technology provides outstanding light intensity with a power consumption of less than 4W per lamp for reading lamp and less than 0.5W for ambient lighting.

APPLICATIONS

- Low Voltage LED Lamp
- Interior low level coach lighting
- Driver seat lighting
- Replaces incandescent lamps in coaches
- Marine



ELECTRICAL SPECIFICATION

COLOR	Input Voltage (DC Volts)			Input Current (mA)	Luminous Intensity (Est. Lumens)			Power Consumption (Watts)	Finished Weight (Estimated)	
	MIN	TYP	MAX	TYP	MIN	TYP	MAX	TYP	g	lbs
COOL WHITE	9.5	24	30	160	240	260	280	3.84	170	0.37
AMBIENT BLUE				3	-	0.55	-	0.07		

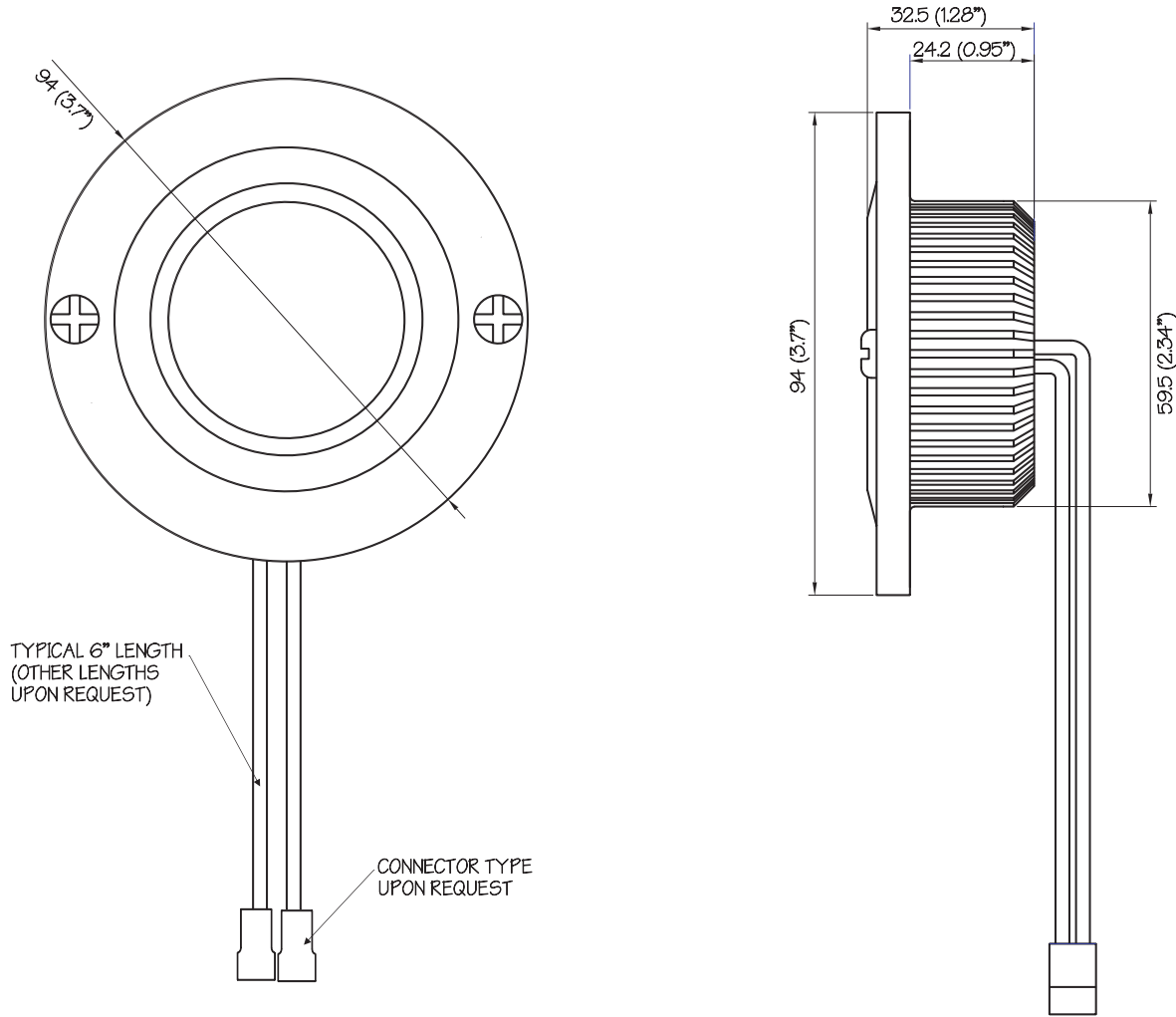
Operating Temperature: - 30°C(-22°F) to 50°C (122°F)
Typical Color Temperature: 5000K

RECESSED CEILING LIGHT

low voltage recessed ceiling light

LED Smart
lighting

DIMENSIONS



ORDERING INFORMATION

Series	Reserved	Voltage	Color	Lens Type	Intensity
RCL	X	24 24Vdc	XX	X	S

○ CW = Cool White
○ NW = Neutral White
○ WW = Warm White
● AM = Amber*
● R = Red*
● G = Green*
● B = Blue*

C = Clear
S = Single side frosted

S = Single Intensity

WARNINGS & SAFETY

High power LEDs have a high intensity of light in a single point. Avoid looking directly at the source of light for any prolonged time as it could cause retinal damage. This light source should be shielded with the a lens as provided by LED Smart Inc. The removal of the lens would void all warranties and liability from the manufacturer and distributor of this product.

LED Smart Inc. works to continually improve our products, we reserve the right to change or modify the designs or specifications of this product at any time without prior notice. All rights reserved. This product is under a patent pending protection.