

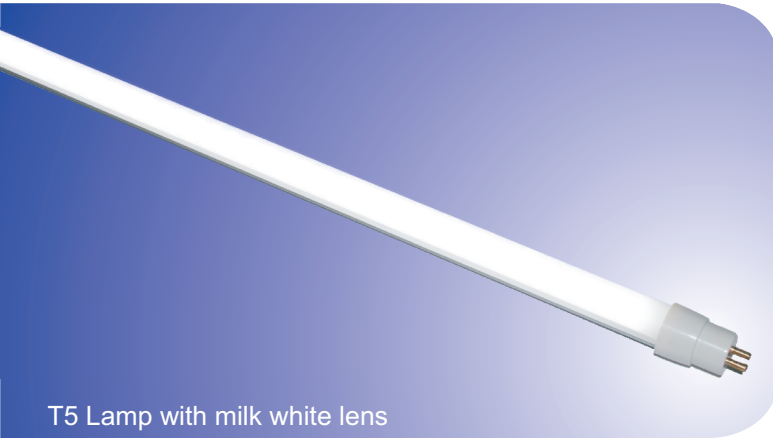
# T5 SERIES

HIGH UNIFORMITY  
HIGH OUTPUT

LED Smart  
lighting

for use with any T5 fixture

**PATENTED**



T5 Lamp with milk white lens

## FEATURES

The special features of the LED Light Tube are:

- Solid state lighting device, works well in harsh environments of hot or cold temperatures
- Instant on, no warm up time required
- Lasts at least 5 times longer than fluorescent
- Low EMI emissions, to eliminate radio interference
- Designed to replace conventional fluorescent lamps
- Vibration proof features
- Lead Free Compliant, Mercury Free



## NOTES & PATENT INFORMATION

US Patent # 7,307,391

International Patents Pending

Designed and Manufactured in North America

## DESCRIPTION

The T5 LED light tubes are a replacement for the traditional T5 fluorescent light tubes that are used in many offices and commercial spaces.

Saving approximately 50% of energy in comparison with a traditional T5 fluorescent light tubes. There is also the additional savings in regards to the replacement and maintenance of the fluorescent tubes and ballasts.

The additional advantages of the T5 LED tubes is that they have less heat, no EMI, and no UV.

The design of the T5 light tubes are designed so as to have a very even light output while maintaining a very bright light output.

## STANDARD FEATURES

- 24", 36", 48" and 60" lengths
- Cool White LEDs (5000K)
- 24V Operating Voltage
- Milk White or Clear lens
- Mini Bi-Pin (G5), Instant start connection type
- T5 Fluorescent replacement (fits T5/T6 size)

## OPTIONAL FEATURES

- Other lengths upon special request
- Colors: Super White (6000K), Warm White (2800K), Neutral White (3500K), Mid White (4100K)
- Other colors upon request
- Operational voltages for special applications

## WARNINGS & SAFETY

High power LEDs have a high intensity of light in a single point. Avoid looking directly at the source of light for any prolonged time as it could cause retinal damage. This light source should be shielded with the lens as provided by LED Smart Inc. The removal of the lens would void all warranties and liability from the manufacturer and distributor of this product.

LED Smart Inc. works to continually improve our products, we reserve the right to change or modify the designs or specifications of this product at any time without prior notice. All rights reserved. This product is under a patent and patent pending protection.



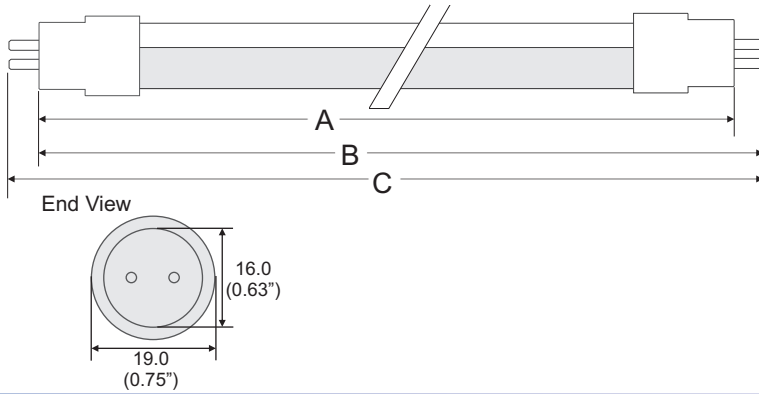
# T5 SERIES

HIGH UNIFORMITY  
HIGH OUTPUT

LED Smart  
lighting

for use with any T5 fixture

## DIMENSIONS



Nominal Length	A (End to End)				B (Pin to End)				C (Pin to Pin)			
	INCH		MM		INCH		MM		INCH		MM	
	MIN	MAX	MIN	MAX	MIN	MAX	MIN	MAX	MIN	MAX	MIN	MAX
12"		11.35		288.2	11.53	11.63	292.8	295.4		11.91		302.5
21"		20.31		516	20.54	20.63	521.6	524		20.91		531.1
24"		21.61		549	21.8	21.89	553.7	556.1		22.17		563.2
36"		33.43		849	33.61	33.70	853.7	856.1		33.98		863.2
48"		45.24		1149	45.42	45.52	1153.7	1156.1		45.80		1163.2
60"		57.05		1449	57.23	57.33	1453.6	1456.1		57.60		1463.1

## ELECTRICAL SPECIFICATION

Nominal Length (inch)	Lens Type	LED TYPE	Input Voltage (AC Volts)			Input Current (Amp)			Luminous Intensity (Lumens)		Power Consumption (Watts)
			MIN	TYP	MAX	MIN	TYP#	MAX	COOL*	WARM**	TYP
12	CLEAR	0-3	20	24	28	0.14	0.17	0.20	369	274	4
21						0.29	0.33	0.40	738	548	8
24						0.29	0.33	0.40	738	548	8
36						0.43	0.50	0.60	1107	822	12
48						0.57	0.67	0.80	1475	1096	16
60						0.71	0.83	1.00	1844	1371	20
12	MILK WHITE	0-3	20	24	28	0.14	0.17	0.20	275	204	4
21						0.29	0.33	0.40	549	408	8
24						0.29	0.33	0.40	549	408	8
36						0.43	0.50	0.60	824	612	12
48						0.57	0.67	0.80	1099	816	16
60						0.71	0.83	1.00	1373	1021	20
12	CLEAR	0-4	20	24	28	0.11	0.13	0.15	312	201	3
21						0.23	0.27	0.33	676	434	6.5
24						0.25	0.29	0.35	728	468	7
36						0.36	0.42	0.50	1041	668	10
48						0.57	0.67	0.80	1665	1069	16
60						0.71	0.83	1.00	2081	1337	20
12	MILK WHITE	0-4	20	24	28	0.11	0.13	0.15	232	149	3
21						0.23	0.27	0.33	504	324	6.5
24						0.25	0.29	0.35	542	348	7
36						0.36	0.42	0.50	775	498	10
48						0.57	0.67	0.80	1240	796	16
60						0.71	0.83	1.00	1550	995	20

Ambient Operating Temperature:

Typical 25°C (77°F)

Range -30°C (-22°F) to 50°C (122°F)

\* Cool White Range 4260K - 6990K sorted according to US Department of Energy, EnergyStar®, and ANSI C78.377-2008 standards

\*\* Warm White Range 2580K - 4259K sorted according to US Department of Energy, EnergyStar®, and ANSI C78.377-2008 standards

## ORDERING INFORMATION

SERIES	PIN TYPE	LENGTH	VOLTAGE	LED TYPE	WATTAGE	COLOR	LENS TYPE	INTENSITY
FLV	G	XX	24	X-X	XX	X	X	X
	G5 End Cap	12 21 24 36 48 60		SEE CHART ABOVE 0-3 0-4		COOL WARM	C = Clear, Ribbed M = Milk White	S = Single Intensity D = Dual Intensity (100%~20%)

Example:

FLV-G-48-24-0-3-12-C-M-S = Premium Fluorescent Lamp Replacement, T5, G5 Base, 48", 24V, Cool White, Milk White Lens, Single

