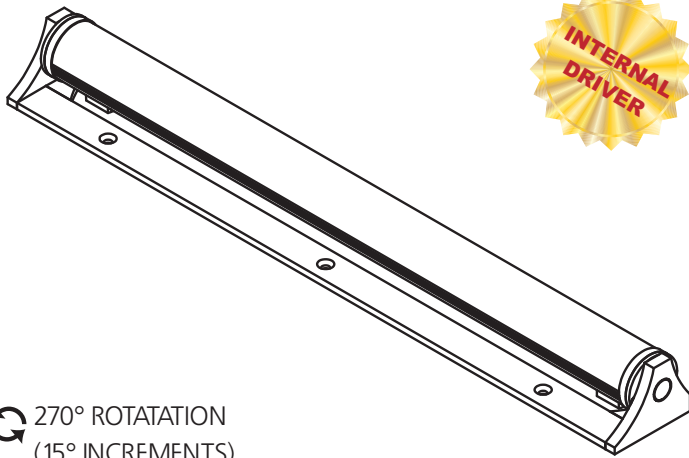


PATENT PENDING



↻ 270° ROTATION
(15° INCREMENTS)

DESCRIPTION

The LED Cove Lighting system has a wide beam angle and variety of white colors, makes the system highly versatile. The small size allows the system to be used for accent lighting, or indirect illumination. This system meets and exceeds similar fluorescent lighting systems, as well as saving time for installation, lower energy costs, and reduced maintenance.

With the dimmable feature, this system is highly adaptable to any application. The LED Cove Light system offers a 'green' solution without compromising the quality of light and design.

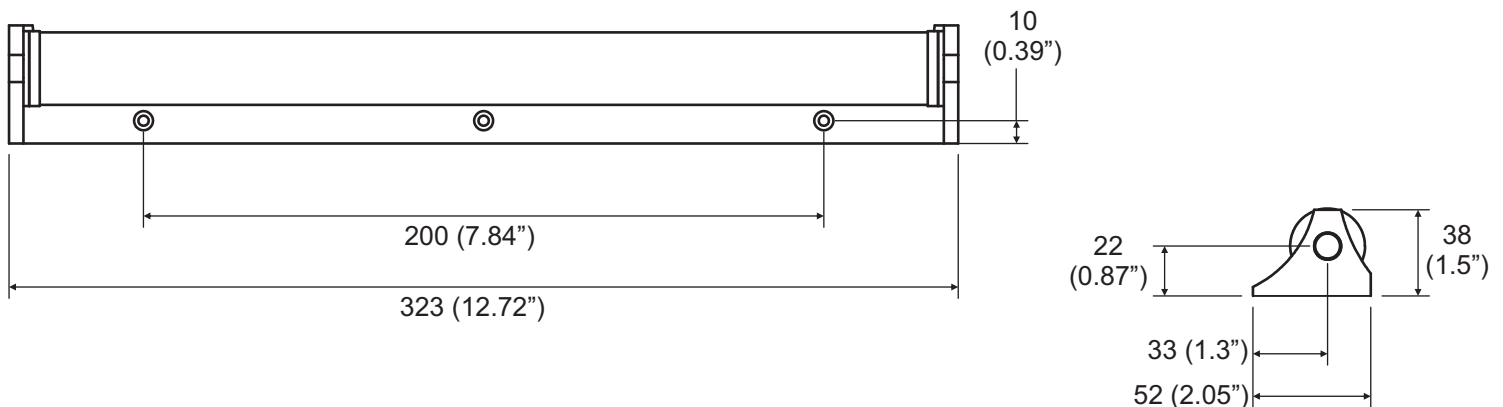
FEATURES

The highlighted features of the LED Cove Light are:

- Up to 574 lumens per foot
- Up to 82 lumens/watt - the competitive light output to a dimmable T5HO or T8 light system.
- Available in 5 white color temperatures, all of which are sorted according to ANSI C78.377A:

Nominal (K)	CCT(K)
2700K	2725 ±145 (2580K-2870K)
3000K	3045 ±175 (2870K-3220K)
3500K	3465 ±245 (3220K-3710K)
4100K	3985 ±275 (3710K-4260K)
5000K	5028 ±283 (4260K-5311K)
- 120 VAC (90-264 VAC) 50/60Hz (277 VAC upon request)
- Up to 168 can connect end to end @ 120 VAC, 15A
- Dimmable - smooth dimming with use of standard dimmers with all input voltage types
- Easy Installation - with quick connect ends and fast mounting method this system can be installed quick and easily.
- Fixture rotation, allows quick and easy direction of light to ideal desired position. Can rotate a full 270° in 15° increments.

DIMENSIONS



ELECTRICAL STATS & OPERATING FUNCTIONS

Type	Nominal Length (inch)	Lens Type	LED TYPE	Input Voltage (AC Volts)			Current (Amp)			Luminous Intensity (Lumens)		Power Consumption (Watts)
				MIN	TYP	MAX	MIN	TYP [#]	MAX	COOL*	WARM**	TYP
CL	12"	CLEAR	0-3	90	120	264	0.03	0.06	0.08	574	421	7
		SINGLE FROSTED								519	381	
		MILK WHITE								427	314	
	12"	CLEAR	1-2	90	120	264	0.02	0.05	0.07	361	320	6
		SINGLE FROSTED								326	290	
		MILK WHITE								269	239	

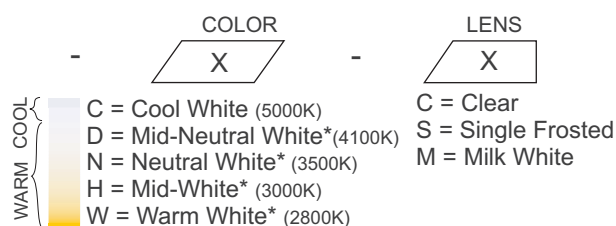
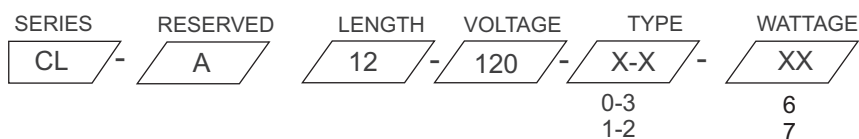
*Cool White Temperature: 4745K-5310K

** Warm White Temperature: 2580K-4745K

Operating Temperature: 25°C (77°F), Range -30°C (-22°F) to 50°C (122°F)

[#] Rated at 120VAC

ORDERING INFORMATION



*Special Order. Contact factory for details.

**This product uses LEDs from suppliers who measure and certify lumen maintenance of their LED devices and modules in accordance with the approved method defined in IES LM-80-08.

[#]Color temperatures conform to nominal CCTs as defined in ANSI Chromaticity Standard C78.377A.

WARNINGS & SAFETY

High power LEDs have a high intensity of light in a single point. Avoid looking directly at the source of light for any prolonged time as it could cause retinal damage. This light source should be shielded with the lens as provided by LED Smart Inc. The removal of the lens would void all warranties and liability from the manufacturer and distributor of this product.

LED Smart Inc. works continually to improve our products, we reserve the right to change or modify the designs or specifications of this product at any time without prior notice. All rights reserved. This product is under a patent and patent pending protection.