

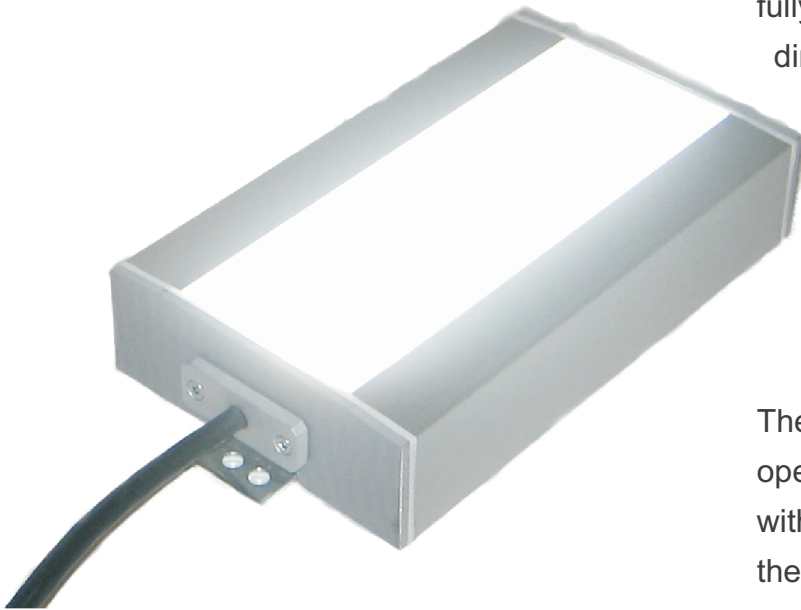
## DESCRIPTION

The CW series light is a wall or ceiling mounted light to be used where space is tight. The light is fully enclosed and can be mounted in virtually any direction.

Mounting holes also allow for the fixture to be used as a hanging work light, affix to any surface with mounting clip.

IP65 splash proof fixture allows for installation in damp environments.

The LEDs allow the product a wide range of operating temperatures in harsh environments without affecting the light levels. LEDs maintain their light output at a near constant level when pushed to extreme temperatures.



## OPTIONAL FEATURES

Optional features of fixture (by request):

- Colors: Super White (6000K), Warm White (2800K), Neutral White (3500K), Mid White (4100K)
- Other colors upon request, red, blue, green, amber
- Operational voltages for special applications
- Optional: Upgrade to IEC 60601-1-2

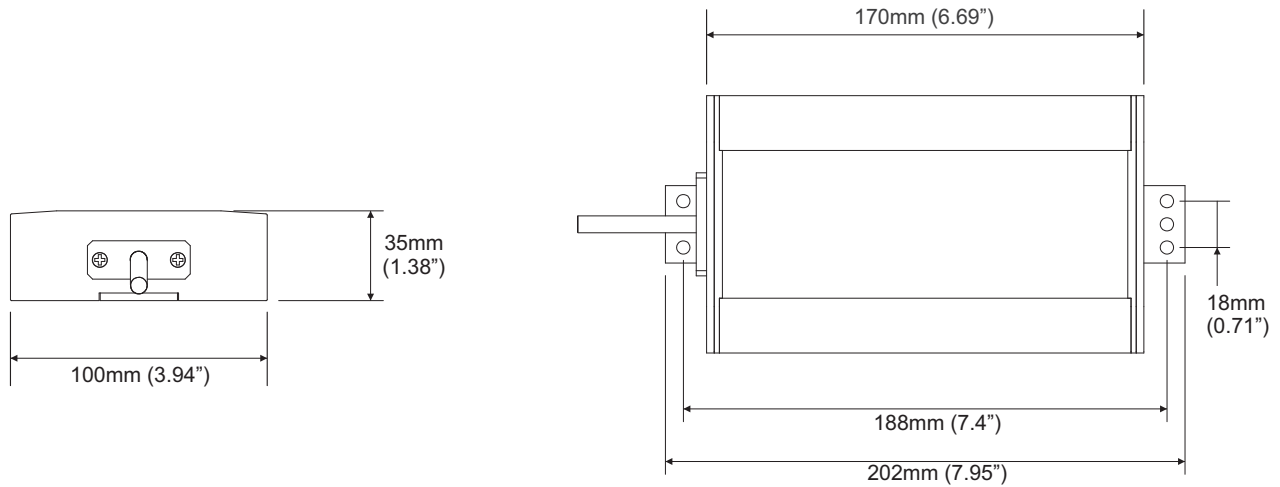
## FEATURES

The special features of the LED CW lamp are:

- Solid state lighting device, works well in all types of environments
- Instant on, no warm up time required
- Lasts 10 times longer than incandescent
- No mercury, No lead
- No IR, No UV
- Lumen Maintenance:  $L_{80}$  (80% @ 50,000 Hours)
- EMC: Compliance to FCC Part 18 Class B



## DIMENSIONS



## SPECIFICATIONS

Type	Input Voltage (Volts)			Input Current (Amps)			Correlated Color Temperature (CCT)*	Lens Type	Intensity	Power Consumption (Watts)
	MIN	TYP	MAX	MIN	TYP	MAX			Lumen	
CWL-A	20	24	32	0.31	0.42	0.5	5000K	Single Frosted	707	10
								Milk	458	
	90	120	140	0.07	0.08	0.11	5000K	Single Frosted	707	10
								Milk	458	

\* ANSI Standard Color Temperature range: 5028K (+/- 283K) as per C78.377-2008

Operating Temperature: Typical 25°C (77°F) Range -40°C (-40°F) to 50°C (122°F)  
Storage Temperature: -40°C (-40°F) ~ 85°C (185°F)



## ORDERING INFORMATION

SERIES	REVISION	LENGTH	VOLTAGE	LED TYPE	WATTAGE	COLOR	LENS TYPE	INTENSITY
CWL	A	8	XXX	0-2	10	X	X	X
			24VDC 120VAC			<ul style="list-style-type: none"> <li>● C = Cool White (5000K)</li> <li>● R = Red*</li> <li>● B = Blue*</li> <li>● G = Green*</li> <li>● A = Amber*</li> </ul>	<ul style="list-style-type: none"> <li>S = Single Frosted</li> <li>M = Milk White</li> </ul>	<ul style="list-style-type: none"> <li>S = Single Intensity</li> </ul>

Example:

CWL-A-8-120-0-2-10-C-M-S - CWL A Type, 8", 120VAC, 10W, Cool White, Milk White Lens, Single Intensity Lens

\*Special Order, contact factory for further details.